

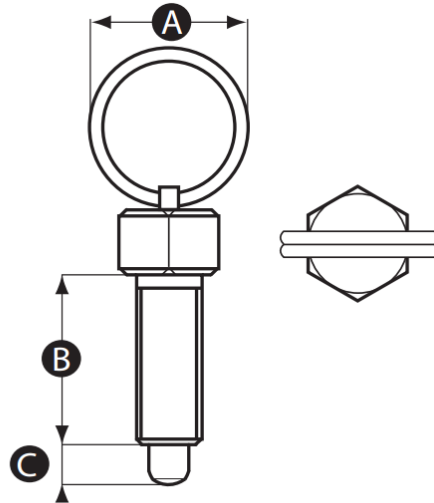
G05IP Spring Loaded Ring Pull Plunger

Features

- Ring pull plunger, also known as spring loaded pins, retractable plunger pins or index pins
- Comes as standard with lift ring and locking nut

Material

- Zinc plated housing with stainless steel pin.



Part No.	A	B	C	Thread Size	Plunger Diameter	Initiating Force	Force for Full Retraction
G05IP-11827S	14	12	4	M6	4	5 N	14 N
G05IP-11828Z	18	16	5	M8	5	8 N	30 N
G05IP-11829V	24	20	6	M10	6	6 N	18 N
G05IP-11830R	30	24	8	M12	8	7 N	18 N